

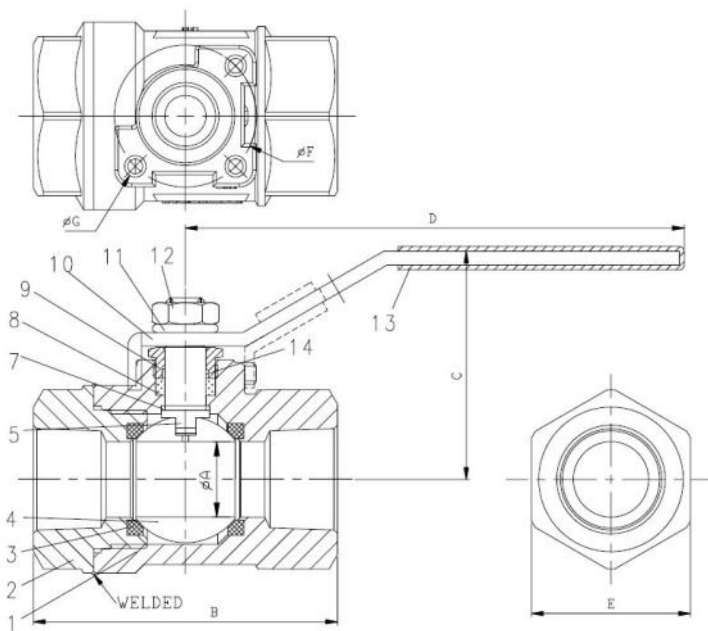


Seal Welded Body Ball Valves

Threaded End Connections



PRESSURE RATING:
 ASME Class 900
 2200 PSIG @ 100F W.O.G.—WCB Body
 2160 PSIG @ 100F W.O.G.—CF8M Body



DIMENSIONS

SIZE		A	B	C	D	E	F	G	ISO PATTERN
inch	mm								
1/4	8	0.375	2.650	1.770	4.170	1.000	1.420	M5	F03
3/8	10	0.375	2.650	1.770	4.170	1.000	1.420	M5	F03
1/2	15	0.500	2.650	1.930	4.170	1.260	1.420	M5	F03
3/4	20	0.690	3.080	2.510	5.710	1.535	1.655	M5	F04
1	25	0.875	3.540	2.655	5.710	1.850	1.655	M5	F04
1-1/4	32	1.000	4.010	2.900	7.560	2.245	1.970	M6	F05
1-1/2	38	1.260	4.260	3.090	7.560	2.520	1.970	M6	F05
2	50	1.500	4.940	3.380	7.560	3.150	1.970	M6	F05

DESIGN & PRODUCTION FEATURES

- Seal welded body joint assures permanent connection & eliminates external leak path
- ASME B16.34 & API 608—code compliant
- Pressure tested to API 598
- Rugged modified PTFE seats (TFM 4215)
- Fire safe tested to API 607 5th Edition
- CF8M / 316SS ball & stem is standard
- Locking Lever is standard
- Optional locking oval handles available
- ISO actuator mounting pad is standard
- Meets NACE

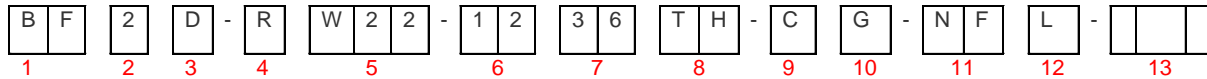
MATERIALS OF CONSTRUCTION

No.	PART NAME	MATERIAL	
1	BODY	WCB	CF8M
2	END CAPS	WCB	CF8M
3	SEATS	TFM 4215	
4	BALL	CF8M/316	
5	STEM	316SS	
7	THRUST WASHER	PTFE	
8	STEM PACKING	GRAPHITE	
9	PACKING GLAND	304SS	
10	HANDLE	304SS	
11	SPRING WASHER	304SS	
12	LEVER NUT	304SS	
13	PLASTIC COATING	VINYL	
14	NAME PLATE	304SS	

Specifying ISV Series No. BF2DR Seal Welded Body Threaded Ball Valves

Example: ISV figure number **BF2D-RW22-1236TH-CG-NFL**

Describes an ASME class 900, (2200 W.O.G.) two piece seal welded body design, regular port, floating type ball valve, female threaded ends, with WCB body material, 316SS ball & stem, TFM 4215 seal inserts, Graphite seals, locking lever operated, meets NACE and is fire safe tested.



1. Valve Type		2. Service /Design Style		3. Body Design		4. Bore		5. Working Pressure		6. Body Material	
Code	Description	Code	Description	Code	Description	Code	Description	Code	W.O.G.	Code	Description
BT	Ball Valve Trunnion	0	Adjustable Packing-(Commercial Design)	A	1 pc End Entry	R	Reduced	W10	1000 W.P.	11	A105N
BF	Ball Valve Floater	1	Adjustable Packing-Flanged (API 608, ASME B16.34)	B	2 pc Split- Bolted	F	Full	W15	1500 W.P.	12	WCB
		2	Adjustable Packing THRD,SW,NIPPLE,B W Ends (API 608, ASME B16.34)	C	2 pc Threaded	S	Standard Port	W20	2000 W.P.	22	LF2
		3	O-Ring Stem Seal	D	2 pc Seal Weld			W21	2160 W.P.	24	LCC
		4	Metal Seated Valve	E	3 pc Bolted			W22	2200 W.P.	34	304SS / CF8
				F	3 pc Threaded			W30	3000 W.P.	36	316SS / CF8M
				G	3 pc Welded			W36	3600 W.P.	71	Monel
								W60	6000 W.P.		

7. Trim Material		8. End Connections		9. Seat		10. Seal		11. Features		12. Operator	
Code	Description	Code	Description	Code	Description	Code	Description	Code	Description	Code	Description
10	C.S. + ENP	TH	Female Threaded	N	Nylon	V	Viton	NF	NACE compliant, Fire Safe Tested	L	Locking Lever
34	304SS / CF8			T	PTFE	H	HNBR			B	Bare Stem
36	316SS / CF8M			D	Devlon	L	Low Temp. (-50 F.) O-Ring	NW	NACE compliant, Non-Fire Tested	A	Actuated
71	Monel			H	HNBR	P	PEEK			G	Manual Gear
				R	R-PTFE	G	Graphite	WF	Without	H	Non-locking Lever
				C	TFM 4215	T	PTFE			C	Chain Wheel
				M	TFM 4105	M	TFM			O	Oval Hand wheel
		J	TFM 1600	E	EPDM	F	Delrin	WW	Without	S	Spring Return Lever
		P	PEEK	F	Delrin	K	Kel-F				
		E	EPDM	1	Metal	1	Metal				
		F	Delrin								

13. Modifier Code	
Code	Description
	Special configurations.

OTHER AVAILABLE ISV PRODUCTS



Distributed by:

Trunnion & Floating Type Ball valves 1/2" – 56"

Threaded and Socket Weld Ball valves 1/4" – 4"

Industrial Ball valves 1/4" – 12"



is a registered trademark of International Standard Valve, Inc.

7111 Perimeter Park Drive Bldg 320, Houston, Texas 77041, 713-983-7600
 www.isvalve.com sales@isvalve.com Bulletin No. SB400.3 Issue 02/2011

